

# TEAL 360kW

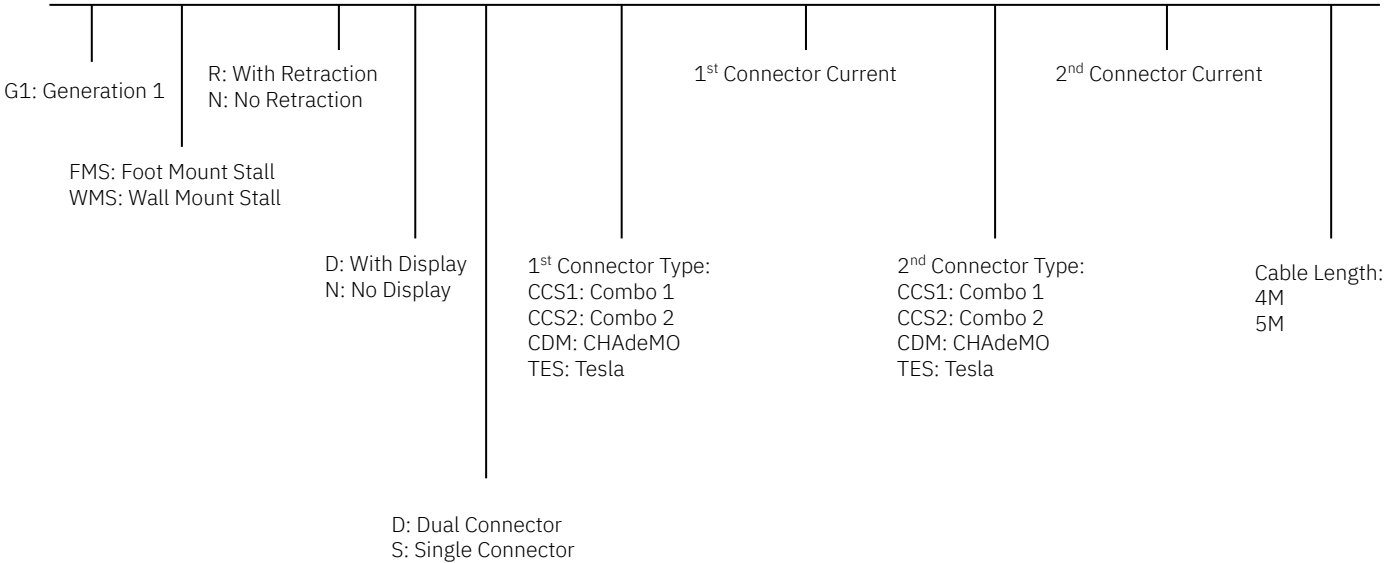
## DC LEVEL THREE FAST CHARGER



### CHARGING STALL



## G1 - FMS - R - N - D - CCS1 - 200A - CDM - 125A - 5M



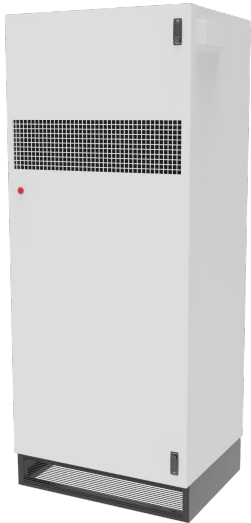
DISCLAIMER: All specifications of the product are preliminary and subject to change or substitution prior to or during regular production. TEAL ELECTRIFICATION SYSTEMS reserves the right to alter specifications at any time without prior notice.

# TEAL 360kW

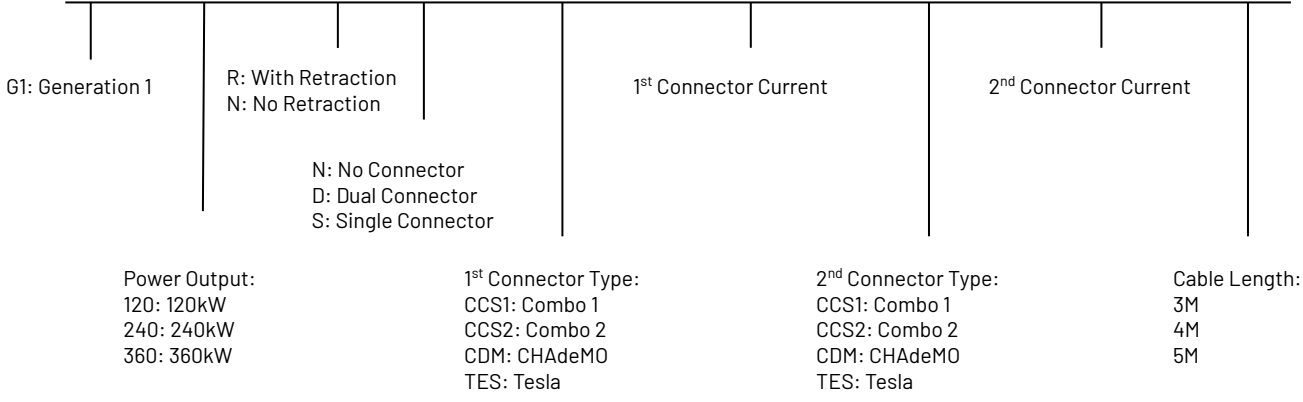
## DC LEVEL THREE FAST CHARGER



POWER CABINET PLUS OPTIONAL CONNECTORS



### G1 - 360 - R - D - CCS1 - 200A - CDM - 125A - 5M



DISCLAIMER: All specifications of the product are preliminary and subject to change or substitution prior to or during regular production. TEAL ELECTRIFICATION SYSTEMS reserves the right to alter specifications at any time without prior notice.

# TEAL 360kW

## DC LEVEL THREE FAST CHARGER



### GENERAL SPECS

#### AC INPUT

3Φ Y (3P+N+PE), 480V/600V (+10%, -15%)

Max. Input Current 564A

Frequency 50Hz/60Hz

Power Factor Greater Than 0.99

Efficiency Greater Than 94%, Max 96%

#### DC OUTPUT

Output Voltage Range CCS :150~1000Vdc CHAdeMO: 150~500Vdc

Max. Output Current  
CCS Passive Cooling Connector : 200A/400A  
CHAdeMO: 200A@500V

Connector Count 1 to 6 Custom Connectors

Voltage Accuracy ±1%

Current Accuracy ±1%

#### USER INTERFACE AND CONTROL

Operation buttons and Estop button

User Authentication RFID: support ISO 14443A/B, ISO 15693

OCPP 2.0, 2D barcode, APP, Mobile payment

#### COMMUNICATION

External: Ethernet and 4G

Internal: CAN bus/RS485

#### ENVIRONMENTAL

Operating Temperature -40°C~50°C, power derating +50 °C

Humidity 5%~95% RH, non-condensing

Altitude ≤ 2000m

IP54, IK10

Air-cooled system for power cabinet

#### PROTECTION

Input Protection: SPD, OCP, OVP, OTP, UVP, OPP

Output Protection: IMD, OCP, OVP, OTP, LVP, SCP

#### REGULATION

Compliance UL 2202, UL 2331

Charging Interface CHAdeMO V1.2, ISO15118

#### AVAILABLE CONFIGURATIONS FOR MODELS 120-240-360\*

| Power Cabinet | Number of Stalls | Number of Charging Connectors |
|---------------|------------------|-------------------------------|
| 120kW         | 0                | 1                             |
| 120kW         | 0                | 2                             |
| 240kW         | 0                | 1                             |
| 240kW         | 0                | 2                             |
| 360kW         | 0                | 1                             |
| 360kW         | 0                | 2                             |
| 120kW         | 1                | 2                             |
| 240kW         | 1                | 2                             |
| 240kW         | 2                | 4                             |
| 360kW         | 1                | 2                             |
| 360kW         | 2                | 4                             |
| 360kW         | 3                | 6                             |

\* Systems architecture is fully modular and upgradable. Power can be increased in later stage from 120kW to 360kW and extra stalls can be added. [Contact us](#) with any questions or concerns.