

# E-TRUCKS

## 2023



MODELS - 7200 – 7300 – 7400 - 8350



ELECTRICAL SYSTEM	
HIGH VOLTAGE SYSTEM [V]	700.8
LOW VOLTAGE SYSTEM [V]	24
24V SYSTEM CURRENT OUTPUT [A]	240
PROVISION FOR COMMUNICATION	Underdash CAN bus

POWERTRAIN PERFORMANCE	
TORQUE TO GROUND [Nm-ft.lb]	27054-19954
REGENERATIVE ELECTRIC BRAKE TORQUE TO GROUND [Nm-ft.lb]	27054-19954
MOTOR OUTPUT TORQUE [Nm-ft.lb]	1753-1293
TOP SPEED [km/h]	120
TRANSMISSION GEAR RATIOS (1st-2nd)	3.23-1
GRADEABILITY AT PAYLOAD	27%

CHASSIS FRAME	
TYPE	Cold riveted ladder frame with parallel and straight side rails
MATERIAL	grade 500L steel
DIMENSIONS OUTER LAYER [mm]	271x74x7
DIMENSIONS INNER LAYER [mm]	257x63x4.5
FRAME WIDTH [mm]	850

HIGH VOLTAGE BATTERY	
FULLY CHARGED VOLTAGE [V]	700.8
NOMINAL VOLTAGE [V]	624
MINIMUM VOLTAGE [V]	480
BATTERY CAPACITY 7200 [kWh]	196
BATTERY CAPACITY 7300 [kWh]	288
BATTERY CAPACITY 7400 [kWh]	351
BATTERY CAPACITY 8350 [kWh]	351
BATTERY CONTINUOUS POWER 7200 [kW-HP]	196-263
BATTERY CONTINUOUS POWER 7300 [kW-HP]	288-386
BATTERY CONTINUOUS POWER 7400 [kW-HP]	351-471
BATTERY CONTINUOUS POWER 8350 [kW-HP]	351-471
LEVEL 3 CHARGE TIME (0-75%) [min]	45
LEVEL 3 CHARGE TIME (0-100%) [min]	90
BATTERY CHEMISTRY	LFP
BATTERY THERMAL MANAGEMENT	Insulated, cooled and heated

INSTRUMENTATION TELEMETRY AND INFOTAINMENT	
INSTRUMENT CLUSTER	10.25" high resolution 1920x720 with capacitive touch, allows for user inputs when vehicle is fully stopped
TELEMETRY	TEALEMATICS®: built-in telemetry system with 4G connectivity
RADIO	AM/FM
CONNECTIVITY	USB2.0, Bluetooth

AIR BRAKES	
SAFETY	ABS
TYPE FRONT	disc
TYPE REAR	drum
DIAMETER x WIDTH FRONT EXTERNAL [mm]	373x45
DIAMETER x WIDTH REAR EXTERNAL [mm]	460x275
PARK BRAKE	air
Air Compressor	-40°C rated high output electric compressor

TEAL

tealev.com

DISCLAIMER: All specifications of the product are preliminary and subject to change or substitution prior to or during regular production. TEAL ELECTRIFICATION SYSTEMS reserves the right to alter specifications at any time without prior notice.

# E-TRUCKS

## 2023



MODELS - 7200 – 7300 – 7400 - 8350



### AXLES AND WEIGHT RATINGS \*

<b>GVWR 7000 SEIRES [lb]</b>	33,000
<b>GVWR 8000 SEIRES [lb]</b>	38,000
<b>GAWR FRONT [lb]</b>	14,330
<b>GAWR REAR 7000 SERIES [lb]</b>	22,046
<b>GAWR REAR 8000 SERIES [lb]</b>	28,660
<b>COMBINED AXLE RATING 7000 SERIES [lb]</b>	36,376
<b>COMBINED AXLE RATING 8000 SERIES [lb]</b>	42,990

\* For more details on weights refer to the last page section weights and axles

### SUSPENSION AND STEERING

<b>FRONT</b>	Single stage alloy steel taper-leaf springs plus double acting hydraulic shock absorber
<b>REAR</b>	Similar to Hendrickson PRIMAAX EX airbag
<b>STEERING</b>	Energy efficient EHPS, Pitman arm steering box

### WHEELS AND TIRES

<b>WHEELS</b>	7 pcs 10 stud light weight forged aluminium 22.5x8.25 rims
<b>TIRES REAR</b>	11R22.5 Michelin XDN2
<b>TIRES FRONT</b>	11R22.5 Michelin X MULTI ENERGY Z2
<b>SPARE</b>	Spare wheel might have a different tire brand, winch type carrier.

### CABIN INTERIOR

<b>DRIVER SEAT</b>	Heated and cooled driver seat with air suspension
<b>SEATBELTS</b>	3-point lap sash seatbelts in all seating positions except center seat using lap belts
<b>STEERING COLUMN</b>	Tilt and telescopic adjustable
<b>ENTRY ASSIST GRIPS</b>	Door pillar and roof pillar mounted
<b>STORAGE</b>	Overhead compartments, twin cup holders, center console box and storage tray, front door pockets
<b>POWER OUTLET</b>	24V 120W plus cigarette lighter
<b>AIR CONDITIONING</b>	Auto control

### CABIN GENERAL FEATURES

<b>CAB TILT MECHANISM</b>	Electro-hydraulic cab tilt
<b>CAB MOUNTING</b>	FRONT: coil spring suspension with hydraulic shock absorbers REAR: airbag suspension with integrated hydraulic shock absorbers
<b>CAB TYPE</b>	high roof, extended cab with single bed and multiple storage compartments
<b>SEATING CAPACITY</b>	2 Standard, 3 Optional
<b>STEPS</b>	Heavy duty and anti slip steps
<b>DOORS</b>	90° hinges with 3 stop point
<b>WINDOWS</b>	Power windows on right and left doors, manually openable windows between B and C pillars
<b>MIRRORS</b>	Heated and powered main exterior mirrors with 3 independently adjustable convex spot mirrors one on each side and one on the front
<b>WIPERS</b>	Two speed (low and high) wipers plus intermittent mode
<b>EXTERIOR LIGHTING</b>	Electronically adjustable combination headlights including: LED daytime running lights, LED signals, high beam, low beam, and fog lights, roof mounted clearance lamp
<b>FRONT BUMPER</b>	Body colored steel bumper
<b>DOOR LOCKS</b>	Power locks and remote lock and unlock
<b>OTHER CONTROLS</b>	Cruise control, headlamps and fog lights on/off, signals

TEAL

tealev.com

DISCLAIMER: All specifications of the product are preliminary and subject to change or substitution prior to or during regular production. TEAL ELECTRIFICATION SYSTEMS reserves the right to alter specifications at any time without prior notice.

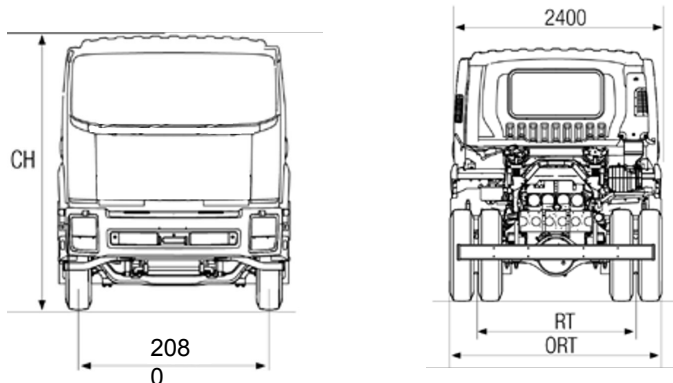
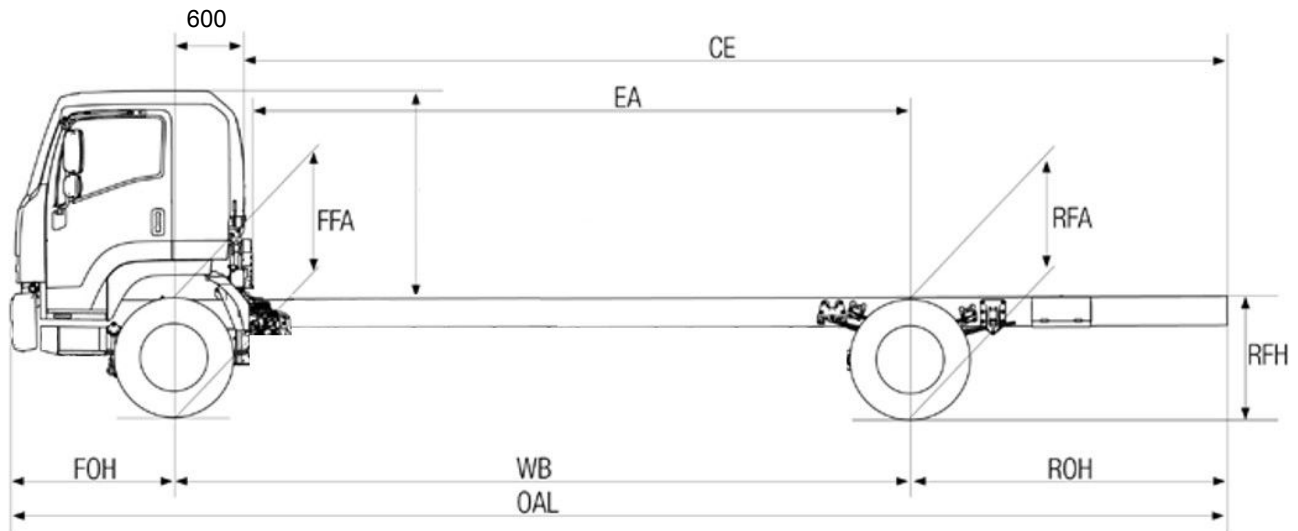
# E-TRUCKS

## 2023



MODELS - 7200 – 7300 – 7400 - 8350

DIMENSIONS (mm)												
Models	WB	FOH	ROH	OAL	EA	CE	ORT	RT	CH	FFA (unladen)	RFA (unladen)	RFH (unladen)
<b>7200-SWB-4250</b>	4250	1400	2200	7850	3525	5850	2500	1900	3200	1100	1100	1115
<b>7200-LWB-5600</b>	5600	1400	2750	9750	4875	7750	2500	1900	3200	1100	1100	1115
<b>7300-SWB-4250</b>	4250	1400	2200	7850	3525	5850	2500	1900	3200	1100	1100	1115
<b>7300-LWB-5600</b>	5600	1400	2750	9750	4875	7750	2500	1900	3200	1100	1100	1115
<b>7400-SWB-5600</b>	5600	1400	2750	9750	4875	7750	2500	1900	3200	1100	1100	1115
<b>7400-LWB-6500</b>	6500	1400	3200	11100	5775	9100	2500	1900	3200	1100	1100	1115
<b>8350-SWB-5600</b>	5600	1400	2750	9750	4875	7750	2500	1900	3200	1100	1100	1115
<b>8350-LWB-6500</b>	6500	1400	3200	11100	5775	9100	2500	1900	3200	1100	1100	1115



TEAL

tealev.com

DISCLAIMER: All specifications of the product are preliminary and subject to change or substitution prior to or during regular production. TEAL ELECTRIFICATION SYSTEMS reserves the right to alter specifications at any time without prior notice.

# E-TRUCKS

## 2023



MODELS - 7200 – 7300 – 7400 - 8350

WEIGHTS AND AXLES (lb)								
Models	GVWR	GAWR			Payload	Cab Chassis Weight		
		Front	Rear	Total		Front	Rear	Total
<b>7200-SWB-4250</b>	33000	14330	22046	36376	22375	5250	5375	10625
<b>7200-LWB-5600</b>	33000	14330	22046	36376	21775	5550	5675	11225
<b>7300-SWB-4250</b>	33000	14330	22046	36376	20250	5950	6800	12750
<b>7300-LWB-5600</b>	33000	14330	22046	36376	19650	6250	7100	13350
<b>7400-SWB-5600</b>	33000	14330	22046	36376	17625	7250	8125	15375
<b>7400-LWB-6500</b>	33000	14330	22046	36376	17125	7500	8375	15875
<b>8350-SWB-5600</b>	38000	14330	28660	42990	22425	7350	8225	15575
<b>8350-LWB-6500</b>	38000	14330	28660	42990	21925	7600	8475	16075